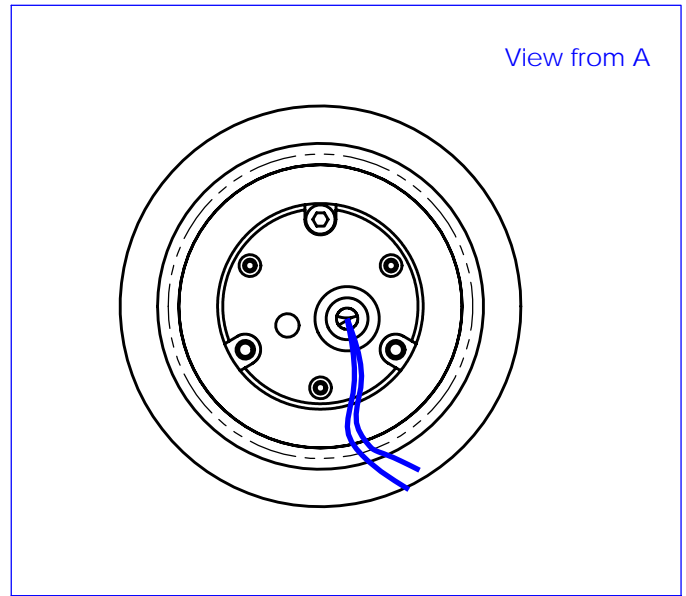
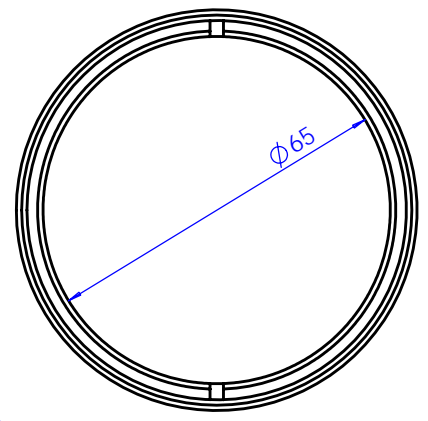
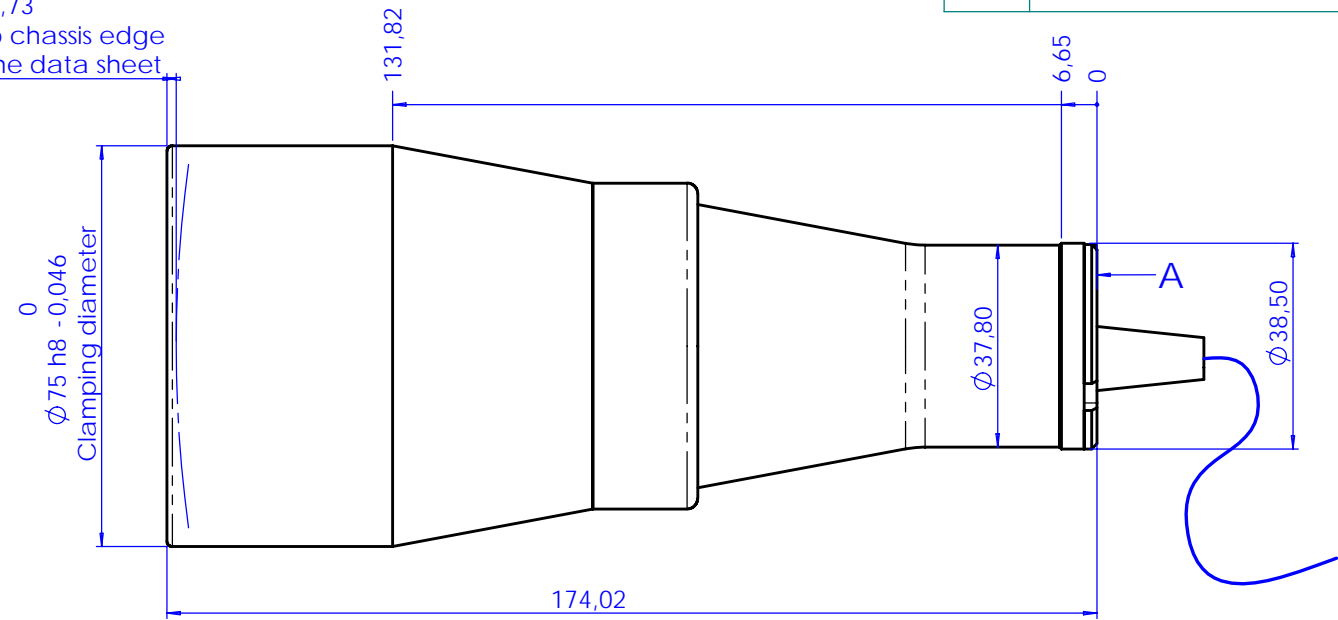


Rev No.	Description	Date	Name
A	First light	06/02/07	A.Vismara
B	New LED holder	10/05/08	A.Vismara

1,73
From lens to chassis edge
W.D. - see the data sheet



Material	N.A.		Mass	0.60 kg	Scale	1:1	
Surface treatment	N.A.		Project-Prod.Item/Instrument	LT CL 48			
Geometrical tolerance (ISO 2768-2)		Class	K	Undimensioned bevels	1x45°	Description Assembly	
Linear tolerance (ISO 2768-2)		Class	m	Undimensioned radii	R 0.5		
0.5	>3-	>6-	>30-	>120	>400-	>1000	>2000
±3	6	30	120	±400	±1000	±2000	±4000
±0.1	±0.1	±0.2	±0.3	±0.5	±0.8	±1.2	±2
www.opto-engineering.com		Date		Name		Drawing No.	Sheet
		Designed	10/05/08	A.Vismara		01280-0-B	1/1
		Draw	10/05/08	A.Vismara			
		Checked	X	C. Sedazzari			
OPTO ENGINEERING S.r.l. - 46100 Mantova Italy - Via Cremona, 29/2 - Tel. +39 0376 263525 - e-mai: info@opto-engineering.com - http://www.opto-engineering.com							

